

Pharma GF

Metal Detection System



Gravity Flow inspection of pharmaceutical powders and granular material

Critical inspection of continuous product flow is the hallmark of Safeline Pharma GF detectors.

The Safeline Pharma GF is guaranteed to zero in on metal contaminants and eliminate them from free-flowing materials; maintaining the highest inspection standards on bulk powder material.

These compact detectors easily fit where space is limited; under feed hoppers in the milling room, or at the discharge of bulk feed conveyors.

Utilizing sophisticated digital processing electronics and high speed diverter valves designed to minimize product loss during contaminant removal, the detector reliably identifies and eliminates contamination regardless of the product volume or flow rate.



Bi-stable electrical solenoid



Touch pad control

Metal Detection System

Auto Balance and Crystal Frequency Control

Touch Panel Key Pad

Fall-Safe Reject

Ultimate Sensitivity and Security

The Pharma GF has been proven to detect minute particles of ferrous and non-ferrous metal, all grades of non-magnetic stainless steel and fine screen wire in a variety of metal types. Safeline's advanced coil design and sophisticated digital signal electronics provide optimum sensitivity and stability, resulting in an unrivaled metal detector. Optimal performance is ensured with the self check capability that continuously monitors sensitivity and sounds an alarm if a problem occurs. A separate reject confirmation system monitors the effectiveness of the reject device and will activate an alarm if metal is detected and the reject fails to respond within a preset time. The dust free 'cowbell' diverter minimizes system height and prevents leakage through the reject port when inspecting dusty powders.

Reject Mechanism Designed to Minimize Product Loss

The entire diverter mechanism is built from mirror polished stainless steel and incorporates a high speed, bi-stable electrical solenoid that ensures immediate diverter action upon contaminant detection. On detection of metal, the reject mechanism diverts a minimal amount of product to the reject chute.

Performance Validation in Accordance with FDA Requirements

The Pharma GF Performance Validation Routine is designed to comply with FDA requirements. It allows users to confirm that the metal detector is tested by qualified personnel with documented test standards at agreed time intervals. A printer can provide a confirmation report that testing has been correctly completed.

Tablet & Capsule Detector

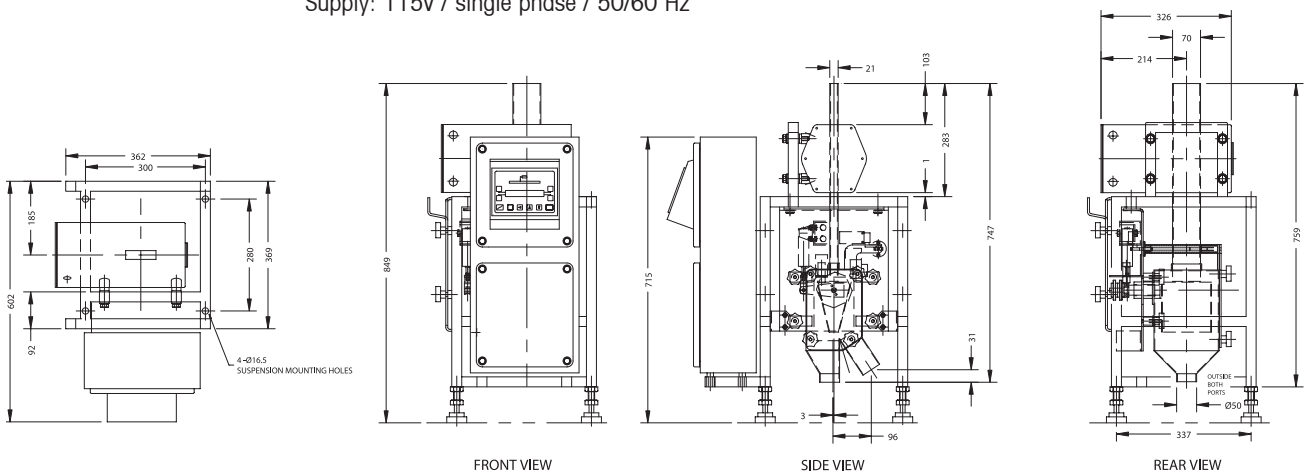
For ensuring product integrity of bulk pharmaceutical tablets and capsules, the Safeline Tablex detector is available. Request a copy of our Tablex brochure for a more detailed description.

Additional Information

Request Safeline's free booklet:
The Guide to Pharmaceutical Metal Detection and Validation Protocol.

Specifications

Model: Pharma GF
Chute Dimensions: A selection of aperture sizes are available, to accommodate volume
Throughput Rate: Up to 2,250lbs / hour
Supply: 115v / single phase / 50/60 Hz



Subject to technical changes
Printed in United States
SLMD-US-DSE-PGF-05-5M

© Mettler-Toledo Safeline, Inc.
6005 Benjamin Road
Tampa, FL 33634 USA
www.metaldetection.com

Toll-Free 800-447-4439
Tel: 813-889-9500
Fax: 813-881-0840
e-mail: safeline.sales@mt.com