

Cornerstone®

Rugged, heavy-duty construction



Cornerstone shown with XS user interface



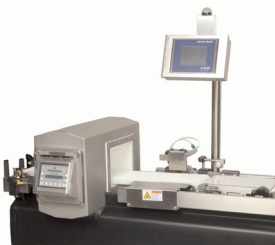
XE or XS controller

Choose between the XE controller with its 100 product memory, and high contrast color touch screen or the XS featuring a larger 15" dashboard style display and exceptional IP69K protection. Both are easy-to-learn and use, delivering fast product set-up and changeovers.



Fast, easy belt change

Quick disconnect servo motor allows for a fast and easy belt changeover or easy cleaning.



Combination systems

Cornerstone checkweighers are available with machine mounted Safeline metal detectors. Shown with the XE checkweigher control, and separate metal only rejector, the Safeline PowerPhase Plus or PowerPhase Pro metal detectors are a perfect addition to complete the product inspection process.

Ergonomically designed for easy operation

The Cornerstone series of checkweighers offer rugged and reliable performance for a wide variety and range of packaging. It can also be custom-configured for unique requirement applications. Ideal for cartons, bags, bars, pouches, jugs, and bottles, the Cornerstone series is the checkweigher of choice for many food, pharmaceutical, and consumer product installations.

Cornerstone series are compatible with the easy to use XE and XS color touch screen controllers. The XS with its large 15" display is visible from over 12 feet away and stores up to 200 product setups. The XS is supplied as standard in an IP69K compliant stainless steel control enclosure. The compact XE user interface offers 100 product setups with simple product change over and is available in an IP65 stainless steel control enclosure.

Technical data

Flexible design

– reliable and rugged checkweighing

The Cornerstone series is a rugged, heavy-duty, sturdy machine. It is made to survive tough environments while delivering exceptional accuracies for applications up to 7 kg. A typical machine configuration is a 3 conveyor system with infeed, weighing, and discharge belts mounted to a common frame, the rejector is mounted on the discharge conveyor ready to reject any off-weight product. Additional rejectors can be added for separation of over and under weights, a machine mounted Safeline metal detector can be supplied with a dedicated rejector for an integrated product inspection system.

The Cornerstone checkweighers can be supplied in a wide variety of configurations including painted carbon steel, stainless steel standard, or sanitary construction. The design includes a center support spine which is used for mounting of interchangeable belts with easy to clean snap-out conveyors and quick disconnect servo motors.

Standard features

- Wide variety of standard sizes to suit the application
- 3 zone weight classification
- Multi-level user security with programmable user types and individual access profiles
- "One touch" full screen current weight display
- Intuitive menu driven navigation
- IP54 ingress protection
- Tool free belt and conveyor removal for ease of maintenance
- Open design for ease of inspection, cleaning, and maintenance

XE weighing control

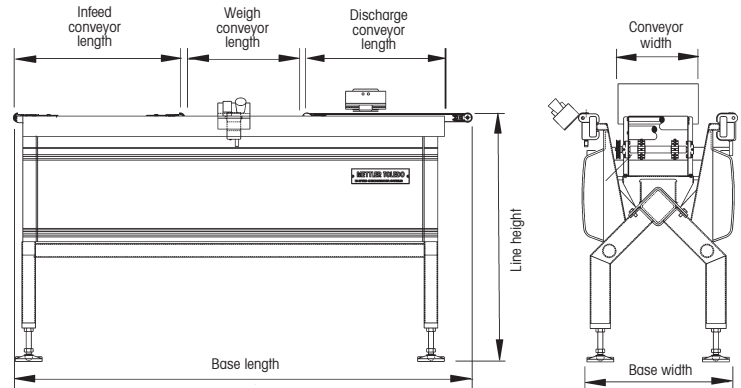
- XE Weighing control
- High contrast 5.7" (QVGA) color touch screen display
- 100 product memory complete with speed settings

XS weighing control

- Large 15" IP69K compliant color touch screen display
- Dashboard style display for at-a-glance monitoring
- 200 product memory complete with speed settings

Control options and accessories

- 5 or 7 zone weight classification
- Monitoring, input, and detection devices, such as open flap, skewed package, ID input, and metal detection
- Single head filler feedback control for optimizing fill processes
- 400 product memory
- Statistics program
- Multi-lingual operation
- PrintStick portable memory device or printer for the data output
- Choice of serial interfaces for weight transmission
- Fieldbus interfaces for DeviceNet, ControlNet, EtherNet/IP, Modbus, TCP, and Profibus
- METTLER TOLEDO FreeWeigh SQC system



Cornerstone typical schematic

Technical data	Cornerstone			
	100	200	300	400
Type	100	200	300	400
Product weight range	Up to 1 kg	Up to 3 kg	Up to 7 kg	Up to 7 kg
Accuracy**	From ± 150 mg	From ± 200 mg	From ± 500 mg	From ± 800 mg
Maximum line rate*	Up to 500 ppm	Up to 300 ppm	Up to 160 ppm	Up to 140 ppm
Maximum line speed	Up to 350 fpm		Up to 300 fpm	
Conveyor width (mm)	100	200	300	400
Infeed belt length (mm)	200, 250, 300 or 400	300, 400, 500, 600, 800 or 1000	400, 500, 600, 800 or 1000	500, 600, 800 or 1000
Weigh conveyor length (mm)	150, 200, or 300	300 or 400	400 or 500	600
Discharge belt length (mm)	200, 250, 300, 400, 500, 600, 800 or 1000	300, 400, 500, 600, 800 or 1000	400, 500, 600, 800 or 1000	500, 600, 800 or 1000
Base weight (mm)	513	513	613	713
Base length (mm)	Total of all belt lengths ± 10mm			
Line height (mm)	925 ± 50; custom heights available			
Weighing technology	Strain gauge analog load cell			
Standard rejector	Air actuated mechanical push off			
Motor control	Servo motor with speed stored in product memory			
Speed control	Continuously variable and operator adjustable			
Power requirements	110 or 220VAC; single phase, 60 Hz, single drop			
Safety	E-stop, optional draft shield			
Certifications/approvals	UL/cUL; ANSI B155.1-1994			

* Depends on the design and dimensions of the weighing belt used

** Depends on the weight, dimensions, and transport of the product to be weighed

Mechanical options and accessories

- IP65 Stainless steel construction
- Hygienic stainless steel sanitary construction
- Machine mounted metal detector with separate rejector
- Additional infeed or discharge conveyors
- Rejectors to suit the application including air blast, sweep, plow, and lift-up
- Package handling mechanisms include side-grips, timing screw, starwheel, or mechanical transfers
- Draft shield and reject bins
- Auxiliary E-stop and separate E-stop contacts



Mettler-Toledo Hi-Speed, Inc.

5 Barr Road, Ithaca, NY 14850

Toll Free: 800-836-0836

Tel: 607-257-6000

Fax: 607-257-6396

e-mail: hi-speed@mt.com

Subject to technical changes

©2006 Mettler-Toledo Hi-Speed, Inc.

Printed in U.S.A.

6J-01C-0073A

www.mt.com/hi-speed

For more information